

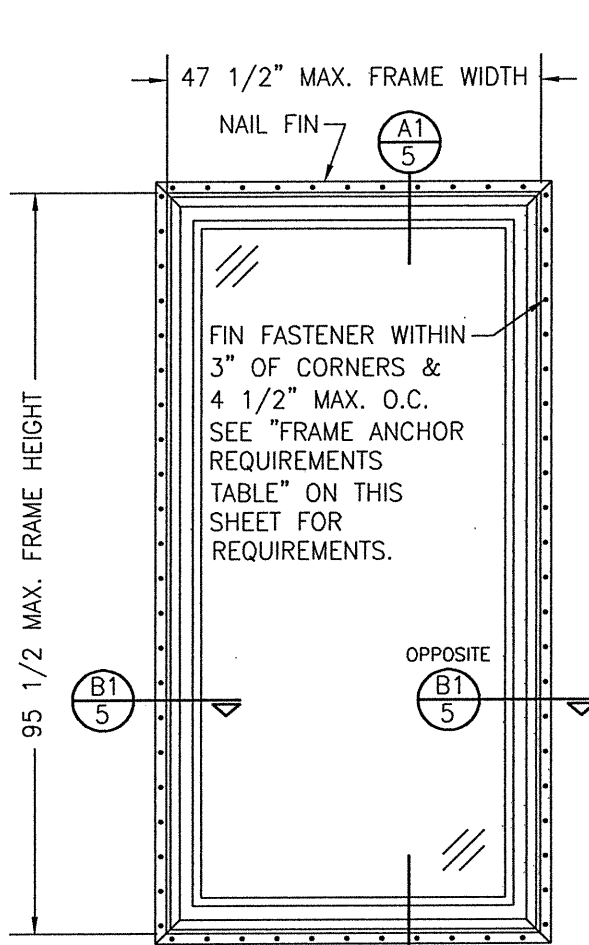
GENERAL NOTES:

- ALL FASTENERS SHALL BE IN ACCORDANCE WITH THESE DRAWINGS. SPECIFIED ANCHOR EMBED TO BASE MATERIAL SHALL BE BEYOND WALL FINISH OR STUCCO.
- OPENINGS, BUCKING & BUCKING FASTENERS MUST BE PROPERLY DESIGNED & INSTALLED TO TRANSFER WIND LOADS TO THE STRUCTURE.
- THESE NON-IMPACT RATED PRODUCT INSTALLATIONS ARE IN ACCORDANCE WITH AND MEET THE REQUIREMENTS OF THE FLORIDA BUILDING CODE (FBC).
- ALL ANCHORS SECURING PRODUCT FRAMES TO PRESSURE TREATED BUCKS OR WOOD FRAMING SHALL BE CAPABLE OF RESISTING CORROSION CAUSED BY THE PRESSURE TREATING CHEMICALS IN THE WOOD.
- MATERIALS, INCLUDING BUT NOT LIMITED TO STEEL SCREWS, THAT COME INTO CONTACT WITH OTHER DISSIMILAR MATERIALS SHALL MEET THE REQUIREMENTS OF FLORIDA BUILDING CODE CHAPTER 20.
- TO THE BEST OF OUR KNOWLEDGE, THE PRODUCT SHOWN HEREIN IS CERTIFIED & QUALITY ASSURED BY A FLORIDA STATE APPROVED CERTIFICATION/QA ENTITY & SHALL BE LABELED IN ACCORDANCE WITH THE FBC AND THE FLORIDA DEPARTMENT OF BUSINESS & PROFESSIONAL REGULATION SPECIFICATIONS. PRODUCT ASSEMBLY IS NOT PART OF THIS DRAWING AND SHALL BE IN ACCORDANCE WITH THE MANUFACTURER'S QUALITY ASSURANCE SPECIFICATIONS & TESTING REPORTS.
- CERTIFICATION OF THESE PRODUCT INSTALLATIONS SHALL BE CONSIDERED VOID IF ANY OF THE FOLLOWING APPLY: 1) PRODUCT IS INSTALLED WITHOUT A BUILDING PERMIT FROM THE APPLICABLE LOCAL BUILDING DEPARTMENT. 2) PRODUCT IS INSTALLED BY ANYONE OTHER THAN A LICENSED CONTRACTOR EXPERIENCED WITH INSTALLATIONS OF THIS TYPE OF PRODUCT. 3) IF CHANGES HAVE OCCURRED TO THE PRODUCT'S CERTIFICATION ENTITY'S CERTIFICATE THAT CAUSE THESE INSTALLATIONS TO BE INCORRECT OR INCONSISTENT WITH WHAT HAS BEEN TESTED.
- THE LEAST DESIGN PRESSURE SPECIFIED EITHER IN THIS DRAWING OR IN THE PRODUCTS CERTIFICATION SHALL CONTROL FOR THE INSTALLED PRODUCT.
- THESE DRAWINGS CERTIFY THE PRODUCT INSTALLATION ONLY. WATER PROOFING OF THE INSTALLED PRODUCT IS NOT PART OF THIS INSTALLATION CERTIFICATION. THAT RESPONSIBILITY SHALL BE THAT OF THE MANUFACTURER &/OR INSTALLER.

INSTALLATION EVALUATION IS BASED ON APPLICABLE ANCHOR STANDARDS AND/OR INFORMATION & RESULTS FROM APPLICABLE TEST REPORTS. THE FLORIDA BUILDING CODE VERSION CONSIDERED WITH THE EVALUATION WAS THAT IN FORCE AT THE TIME OF THE EVALUATION. IN THE EVENT OF CODE VERSION CHANGES/UPDATES OR IN THE EVENT THAT NEW OR ADDITIONAL TESTING IS COMPLETED ON THE REFERENCED PRODUCT, PRIOR TO STATING CODE COMPLIANCE WITH THE STATE, THE MANUFACTURER SHALL CONFIRM WITH THE INSTALLATION EVALUATION ENGINEER OF RECORD THAT THE INSTALLATIONS SPECIFIED HERE-IN ARE CURRENT WITH THE THEN CURRENT TESTING, CODE AND APPLICABLE STANDARDS.

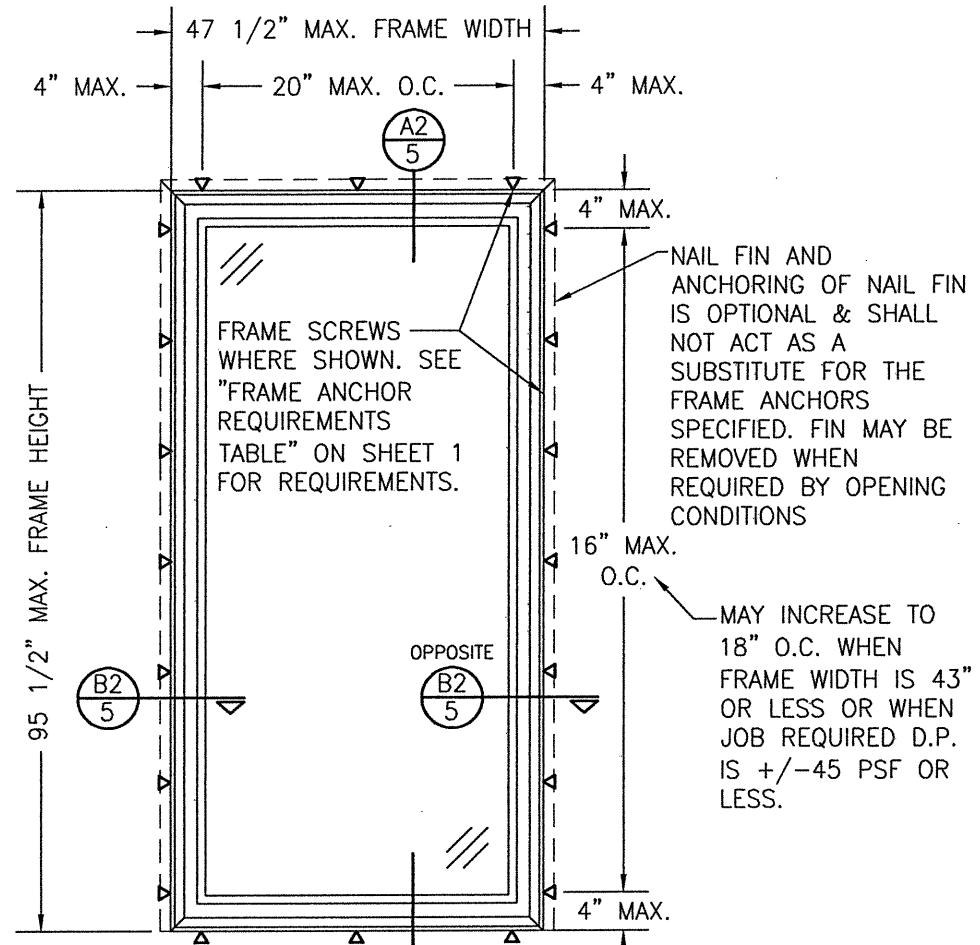
ALTERNATE ANCHOR/SUBSTRATE EVALUATION NOTE:

ALL ALTERNATE ANCHORS IN THEIR SPECIFIED SUBSTRATES HAVE BEEN ANALYZED IN ACCORDANCE WITH THEIR APPLICABLE STANDARD(S) AND ARE FOUND TO BE EQUIVALENT TO OR STRONGER THAN THE ANCHOR(S) USED IN TESTING WITH THIS PRODUCT.



**EXTERIOR ELEVATION:
SINGLE FIXED PANEL DOOR**

SCALE: 1/2" = 1'-0"
(NAIL FIN MOUNT)



**EXTERIOR ELEVATION:
SINGLE FIXED PANEL DOOR**

SCALE: 1/2" = 1'-0"
(FRAME SCREW MOUNT)

FRAME ANCHOR REQUIREMENTS TABLE

OPENING TYPE (SUBSTRATE)	FRAME/FIN TO OPENING FASTENER TYPE	MINIMUM EMBED	MINIMUM EDGE DIST.
FRAME SCREWS			
MIN. 2X4 WOOD FRAME OR BUCK (MIN. GR. 3 & G=0.55)	NO. 10 SMS OR WOOD SCREW	1 1/4"	3/4"
MIN. 18 GA. 33 KSI METAL STUD	NO. 10 GR. 5 SELF TAP/DRILL SCREW	FULL	1/2"
MIN. 1/8" THK A36 STEEL	NO. 10 GR. 5 SELF TAP/DRILL SCREW	FULL	1/2"
MIN. 1/8" THK 6063-T5 ALUM.	NO. 10 GR. 5 SELF TAP/DRILL SCREW	FULL	1/2"
MIN. C-90 CMU OR 2500 PSI CONCRETE	(1) 1/4" CONCRETE SCREW	1 1/4"	2"
(2) NAILING FIN FASTENERS			
MIN. 2X4 WOOD FRAME OR BUCK (MIN. GR. 3 & G=0.55)	NO. 8 SMS SCREW	1 1/2"	1/2"
MIN. 2X4 WOOD FRAME OR BUCK (MIN. GR. 3 & G=0.55)	11 GA. ROOFING NAIL	1 5/8"	1/2"
MIN. 1/8" THK A36 STEEL	NO. 8 GR. 5 SELF TAP/DRILL SCREW	FULL	1/2"
MIN. 1/8" THK 6063-T5 ALUM.	NO. 8 GR. 5 SELF TAP/DRILL SCREW	FULL	1/2"

- (1) CONCRETE SCREWS SHALL BE ELCO ULTRACONS (C.S.), ELCO CRETE-FLEX (S.S.), ITW RAMSET/RED HEAD TAPCONS (C.S. OR S.S.) OR HILTI KWIK-CON II (C.S OR S.S.).
- (2) WHEN SCREWS ARE USED WITH THE NAIL FIN, THEY MUST BE A WAFFLE HEAD SCREW OR HAVE A FLAT WASHER AT THE SCREW HEAD.

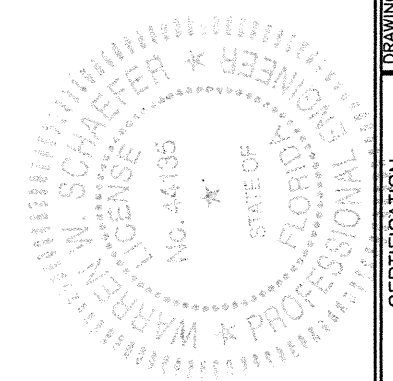
ALLOWABLE DESIGN PRESSURE (SINGLE FIXED PANEL DOORS ONLY)

+50/-50 PSF

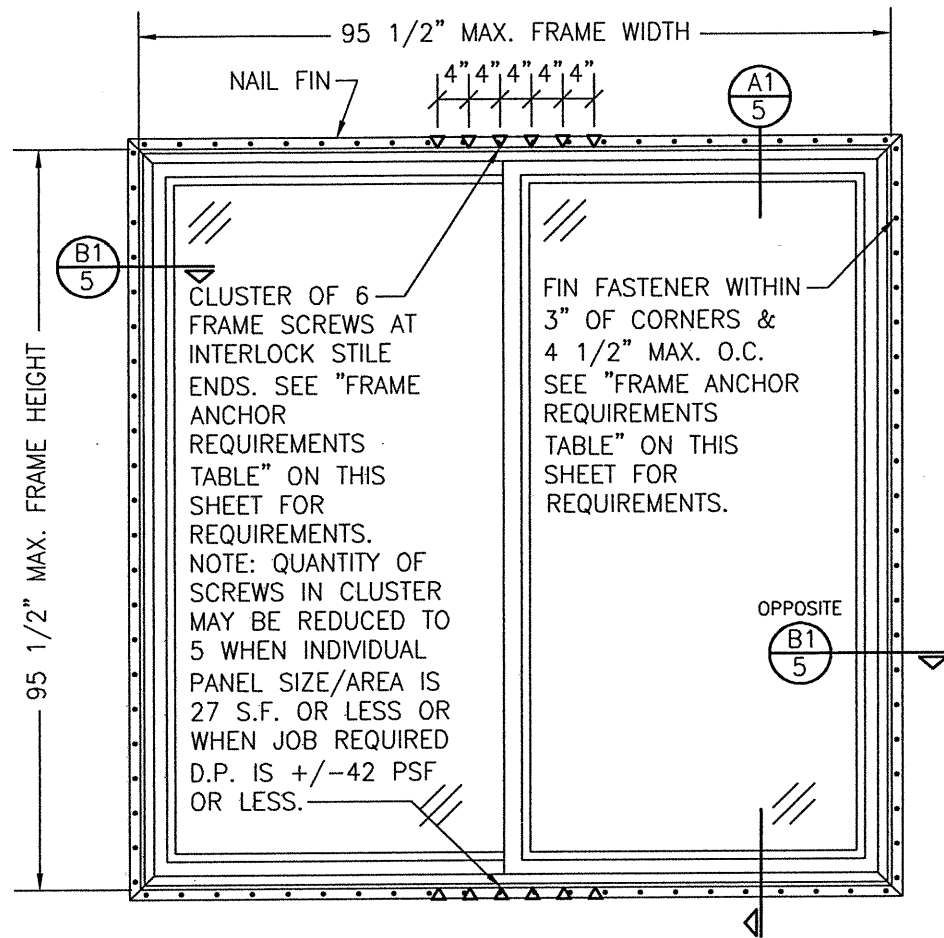
PRESSURE SHOWN IN THIS TABLE IS FOR INSTALLATION CONDITIONS ONLY. THE GOVERNING DESIGN PRESSURE ON THE DOORS SHALL BE THE LESSER OF THAT SHOWN IN THE INDIVIDUAL DOOR'S STATE APPROVAL OR THAT SHOWN IN THIS TABLE.

INSTALLATION NOTE:
WHEN NECESSARY, INSTALLATION METHODS MAY BE MIXED WITH ANY ONE DOOR SUCH THAT INDIVIDUAL SIDES OF THE DOOR MAY USE ONE OR THE OTHER ANCHOR METHOD (EXAMPLE: SILL MAY USE FRAME SCREWS METHOD WHILE OTHER SIDES USE FIN)

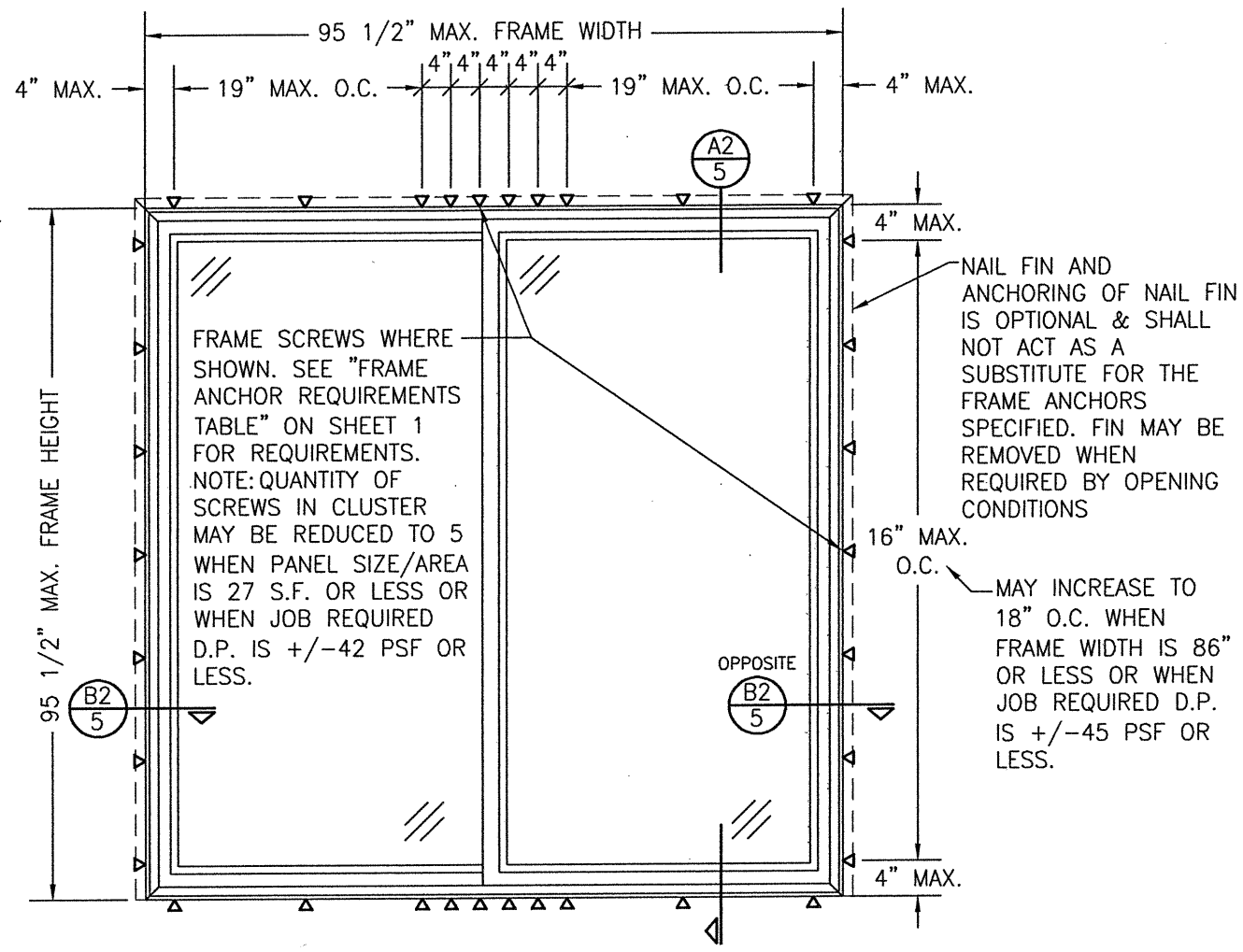
THESE DRAWINGS ARE APPLICABLE ONLY TO THE PRODUCT SPECIFIED. THEY MAY NOT BE USED FOR THE ASSEMBLY AND/OR INSTALLATION OF ANY OTHER PRODUCT NOR MAY THEY BE USED FOR RATIONAL AND/OR LOCAL APPROVAL OF ANY PRODUCT NOT PRODUCED BY THE MANUFACTURER STATED ON THESE DRAWINGS.



DRAWN BY: W.W.S.	CHECKED BY: W.W.S.	PLOT: 1=24	DATE: 07/15/19
DATE 09/16/19	DATE 03/17/21		
BY W.W.S.	BY W.W.S.		
REVISION DESCRIPTION ADD 3 & 4-PANEL DOORS	REVISION DESCRIPTION UPDATE FOR NEW TESTING		
NO. A1	NO. B1		
DRAWING TITLE: 250 SERIES NON-IMPACT VINYL SLIDING PATIO DOOR JOB INFORMATION: PELLA CORPORATION 102 MAIN STREET PELLA, IA 50219 641-621-1000 			
CONSULTANTS W. W. SCHAEFER ENGINEERING & CONSULTING, P.A. (CA 6809) 7480 150TH COURT NORTH PALM BEACH GARDENS, FL 33418 PHONE: 561-744-3424			
CERTIFICATION MAR 17 2021 WARREN W. SCHAEFER, P.E. P.E. NO. 44135			
DRAWING NO. 1961		REV. B	
SHEET NO. 1		OF 5	



EXTERIOR ELEVATION:
2-PANEL SLIDING PATIO DOOR
 SCALE: 1/2" = 1'-0"
 (NAIL FIN MOUNT)



EXTERIOR ELEVATION:
2-PANEL SLIDING PATIO DOOR
 SCALE: 1/2" = 1'-0"
 (FRAME SCREW MOUNT)

**ALLOWABLE DESIGN PRESSURE
 (2-PANEL DOORS ONLY)**

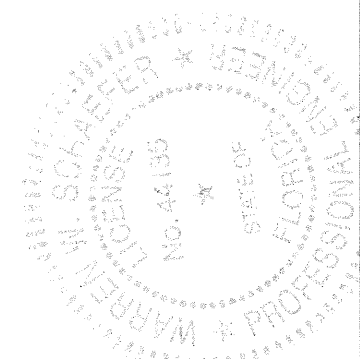
+50/-50 PSF

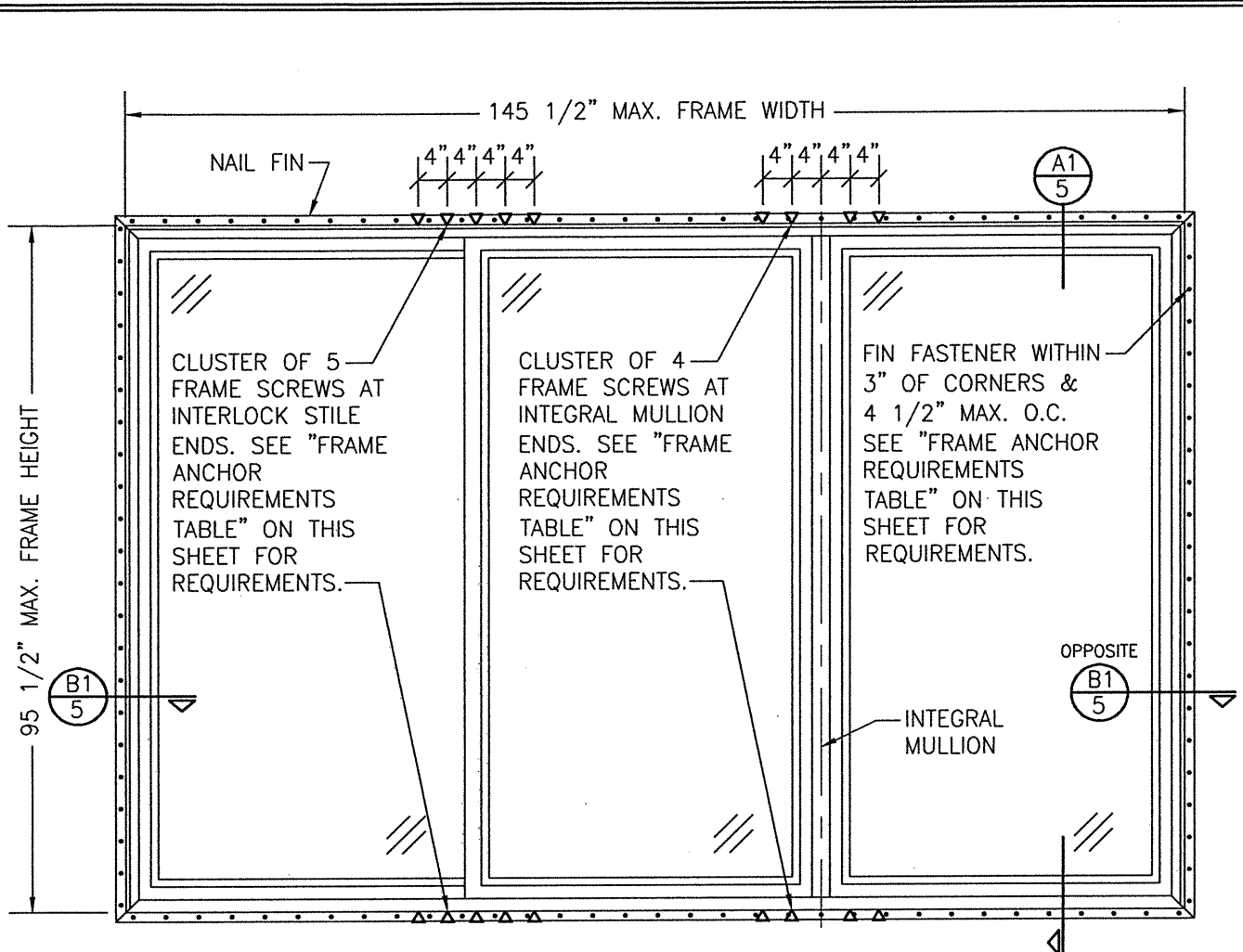
PRESSURE SHOWN IN THIS TABLE IS FOR INSTALLATION CONDITIONS ONLY. THE GOVERNING DESIGN PRESSURE ON THE DOORS SHALL BE THE LESSER OF THAT SHOWN IN THE INDIVIDUAL DOOR'S STATE APPROVAL OR THAT SHOWN IN THIS TABLE.

NAIL FIN AND ANCHORING OF NAIL FIN IS OPTIONAL & SHALL NOT ACT AS A SUBSTITUTE FOR THE FRAME ANCHORS SPECIFIED. FIN MAY BE REMOVED WHEN REQUIRED BY OPENING CONDITIONS

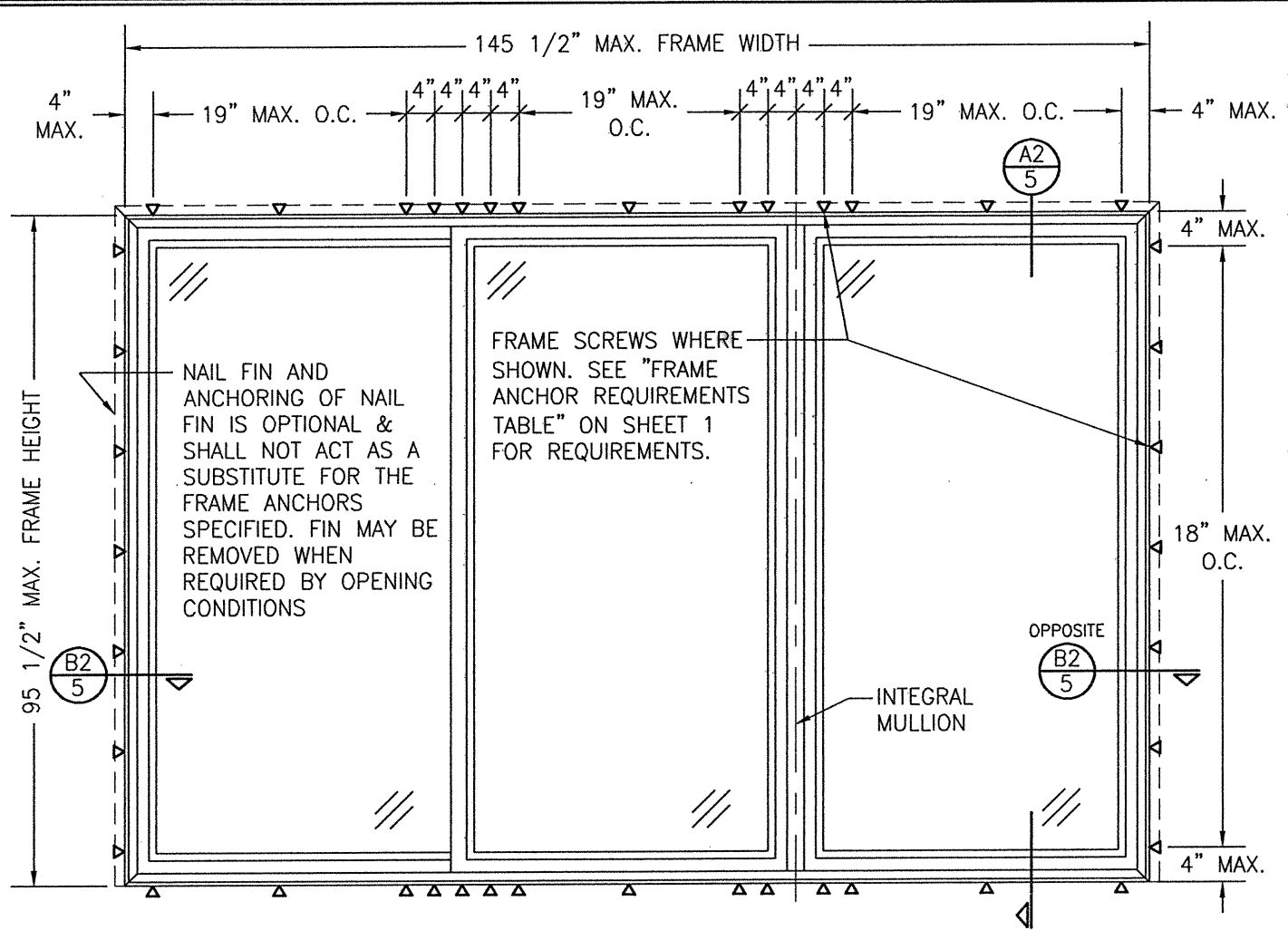
MAY INCREASE TO 18" O.C. WHEN FRAME WIDTH IS 86" OR LESS OR WHEN JOB REQUIRED D.P. IS +/-45 PSF OR LESS.

DRAWN BY: W.W.S.		CHECKED BY: W.W.S.	
PLOT: 1-24		DATE: 07/15/19	
DATE	BY	REVISION DESCRIPTION	NO.
DRAWING TITLE: 250 SERIES NON-IMPACT VINYL SLIDING PATIO DOOR JOB INFORMATION: PELLA CORPORATION, 102 MAIN STREET, PELLA, IA 50219, 641-621-1000			
CONSULTANTS: W. W. SCHAEFER ENGINEERING & CONSULTING, P.A. (CA 6809), 7480 150TH COURT NORTH, PALM BEACH GARDENS, FL 33418, PHONE: 561-744-3424			
CERTIFICATION: MAR 17 2021 WARREN W. SCHAEFER, P.E., P.E. NO. 44135		DRAWING NO. 1961 SHEET NO. 2 OF 5	





EXTERIOR ELEVATION:
3-PANEL SLIDING PATIO DOOR
 SCALE: 1/2" = 1'-0"
 (NAIL FIN MOUNT)



EXTERIOR ELEVATION:
3-PANEL SLIDING PATIO DOOR
 SCALE: 1/2" = 1'-0"
 (FRAME SCREW MOUNT)

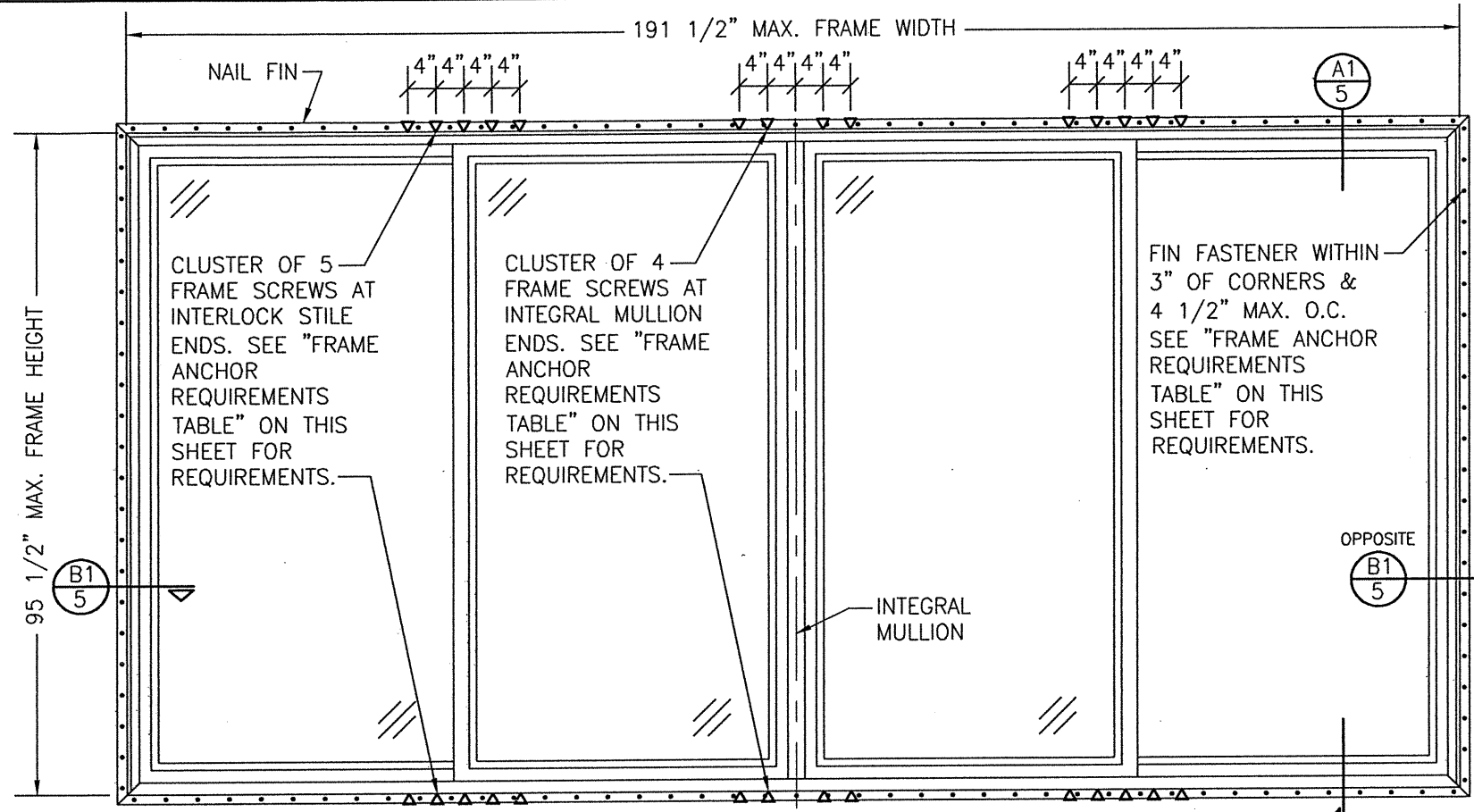
ALLOWABLE DESIGN PRESSURE (3-PANEL DOORS ONLY)		
MAX. FRAME WIDTH (IN.)	MAX. FRAME HEIGHT (IN.)	ALLOWABLE PRESSURE (+/- PSF)
145 1/2	95 1/2	35
109 1/2	81 1/2	(1) 50

PRESSURE SHOWN IN THIS TABLE IS FOR INSTALLATION CONDITIONS ONLY. THE GOVERNING DESIGN PRESSURE ON THE DOORS SHALL BE THE LESSER OF THAT SHOWN IN THE INDIVIDUAL DOOR'S FLORIDA APPROVAL OR THAT SHOWN IN THIS TABLE.

(1) POSITIVE DESIGN PRESSURE IS LIMITED TO +35 PSF WHEN DOOR IS REQUIRED TO BE WATER RATED.

DRAWN BY: W.W.S.	CHECKED BY: W.W.S.
PLOT: 1=24	DATE: 07/15/19
DATE	
BY	
REVISION DESCRIPTION	
NO.	
DRAWING TITLE 250 SERIES NON-IMPACT VINYL SLIDING PATIO DOOR	
JOB INFORMATION: PELLA CORPORATION 102 MAIN STREET PELLA, IA 50219 641-621-1000	
CONSULTANTS W. W. SCHAEFER ENGINEERING & CONSULTING, P.A. (CA 6809) 7480 150TH COURT NORTH PALM BEACH GARDENS, FL 33418 PHONE: 561-744-3424	
CERTIFICATION MAR 17 2021	WARREN W. SCHAEFER, P.E. P.E. NO. 44135
DRAWING NO. 1961	REV. B
SHEET NO. 3 OF 5	





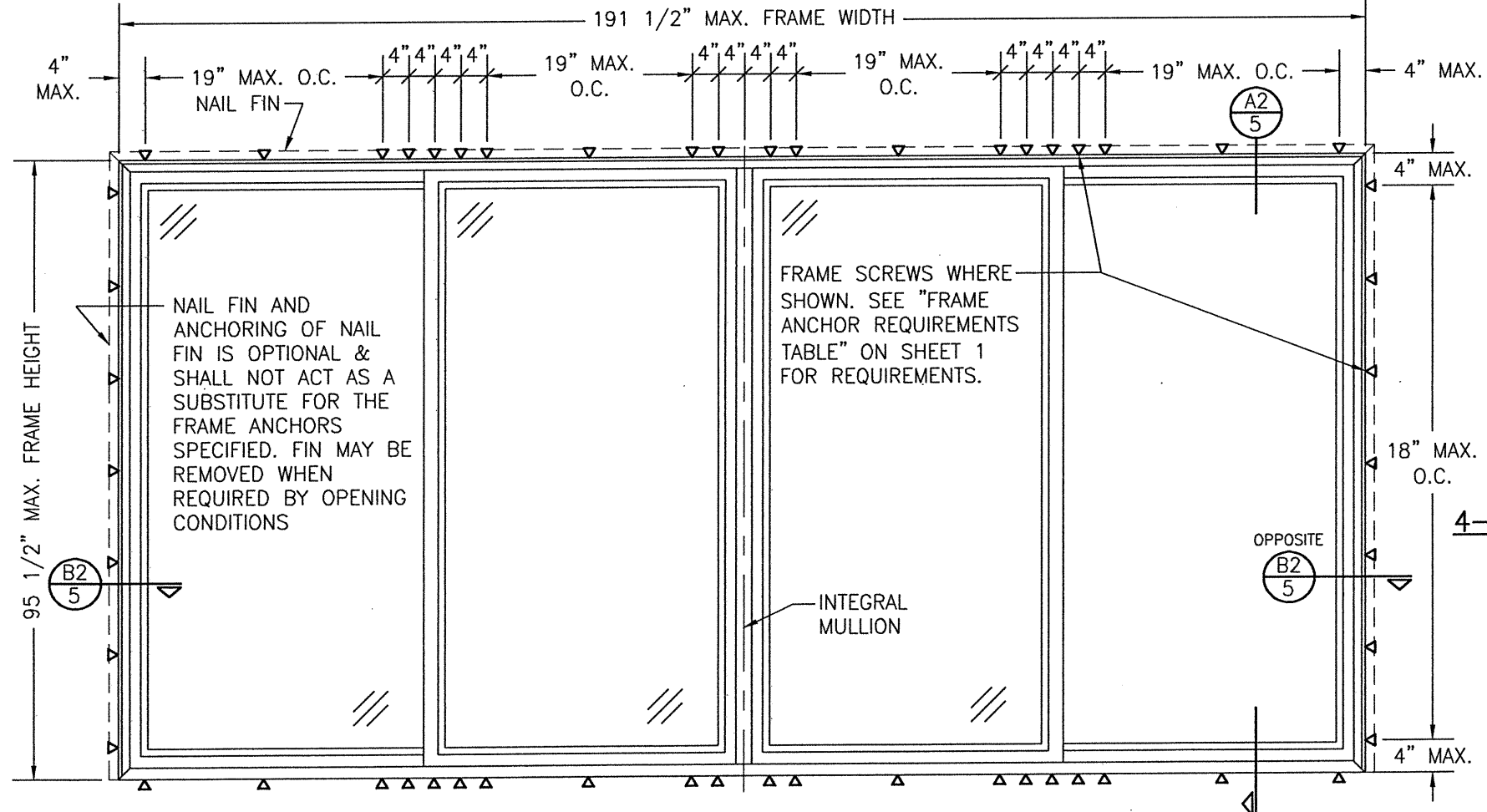
**EXTERIOR ELEVATION:
4-PANEL SLIDING PATIO DOOR**

SCALE: 1/2" = 1'-0"
(NAIL FIN MOUNT)

ALLOWABLE DESIGN PRESSURE (4-PANEL DOORS ONLY)		
MAX. FRAME WIDTH (IN.)	MAX. FRAME HEIGHT (IN.)	ALLOWABLE PRESSURE (+/- PSF)
191 1/2	95 1/2	35
109 1/2	81 1/2	(1) 50

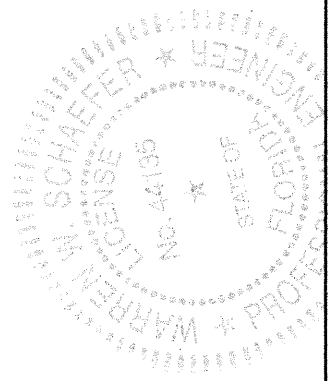
PRESSURE SHOWN IN THIS TABLE IS FOR INSTALLATION CONDITIONS ONLY. THE GOVERNING DESIGN PRESSURE ON THE DOORS SHALL BE THE LESSER OF THAT SHOWN IN THE INDIVIDUAL DOOR'S FLORIDA APPROVAL OR THAT SHOWN IN THIS TABLE.

(1) POSITIVE DESIGN PRESSURE IS LIMITED TO +35 PSF WHEN DOOR IS REQUIRED TO BE WATER RATED.

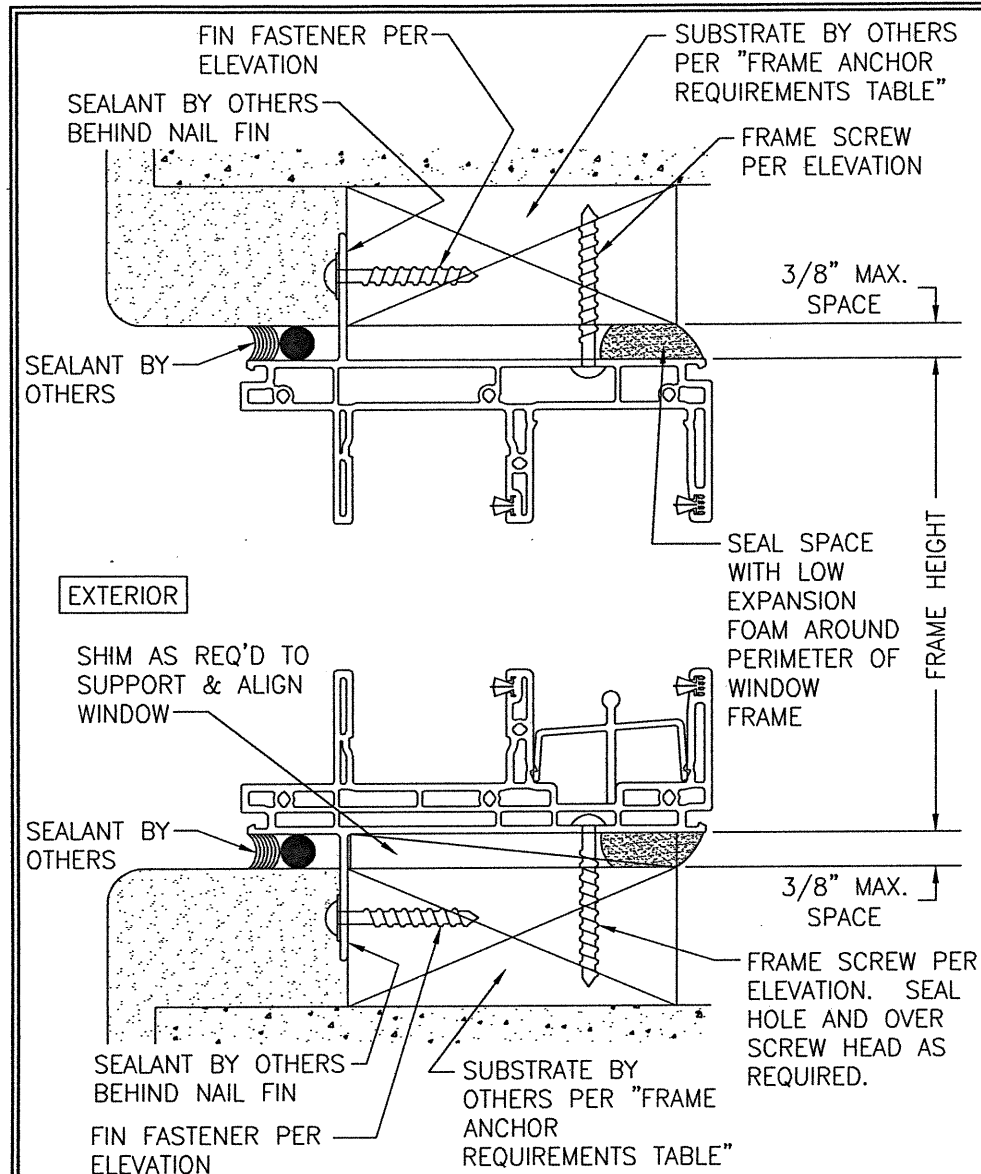


**EXTERIOR ELEVATION:
4-PANEL SLIDING PATIO DOOR**

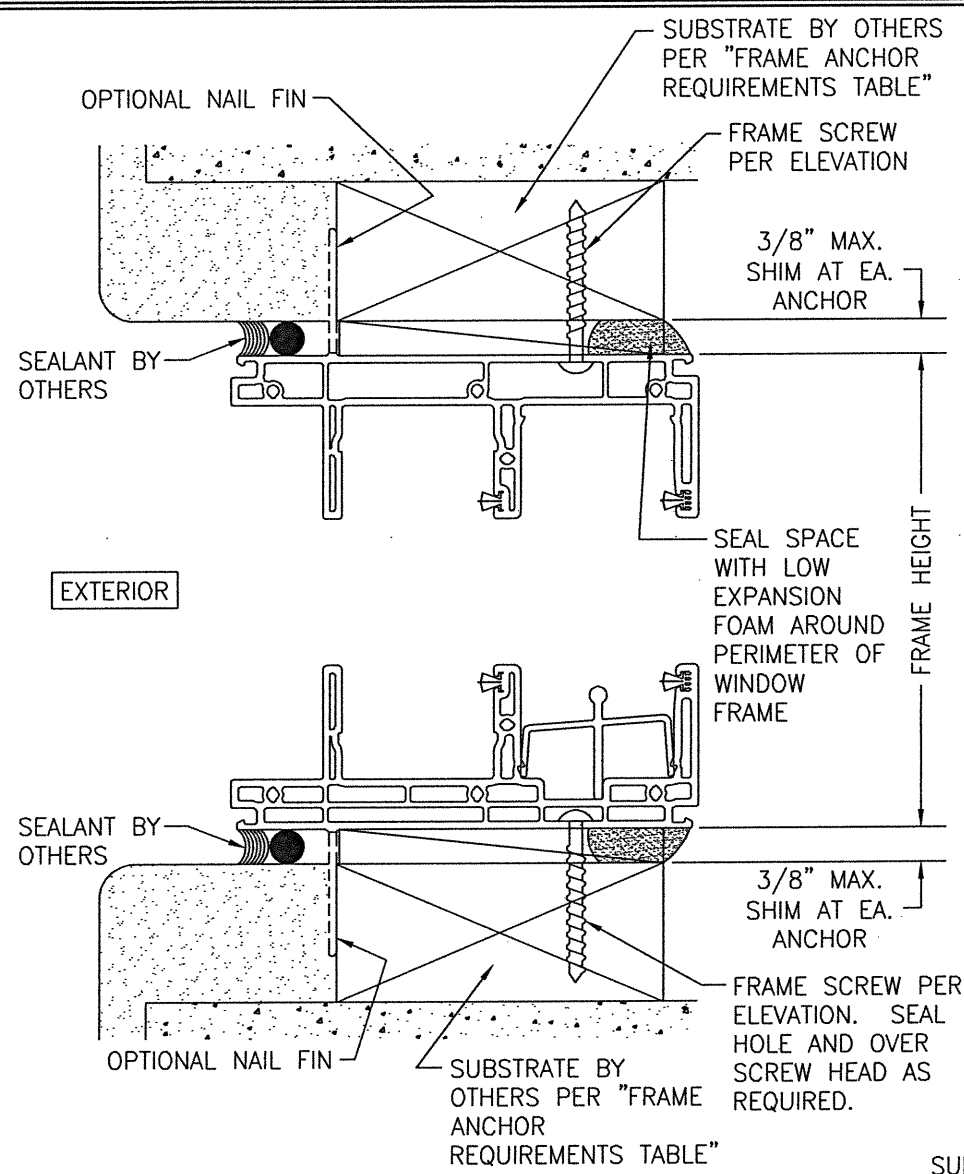
SCALE: 1/2" = 1'-0"
(FRAME SCREW MOUNT)



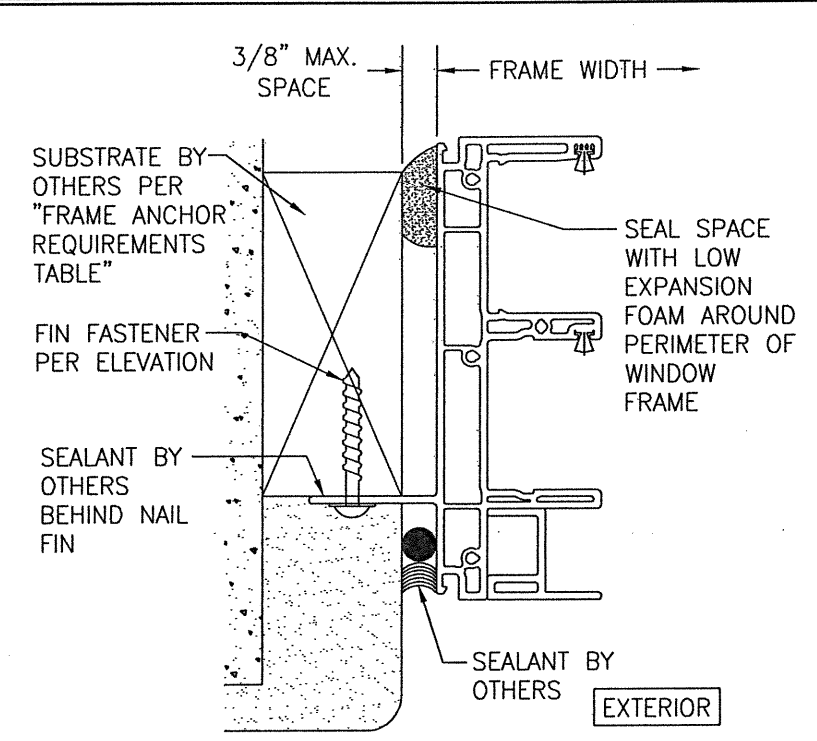
DRAWN BY: W.W.S.	CHECKED BY: W.W.S.
PLOT: 1-24	DATE: 07/15/19
NO.	REVISION DESCRIPTION
DATE	BY
DRAWING TITLE 250 SERIES NON-IMPACT VINYL SLIDING PATIO DOOR	
CONSULTANTS W. W. SCHAEFER ENGINEERING & CONSULTING, P.A. (CA 6809)	JOB INFORMATION: PELLA CORPORATION 102 MAIN STREET PELLA, IA 50219 641-621-1000
CERTIFICATION MAR 17 2021	WARREN W. SCHAEFER, P.E. P.E. NO. 44135
DRAWING NO. 1961	REV. B
SHEET NO. 4 OF 5	



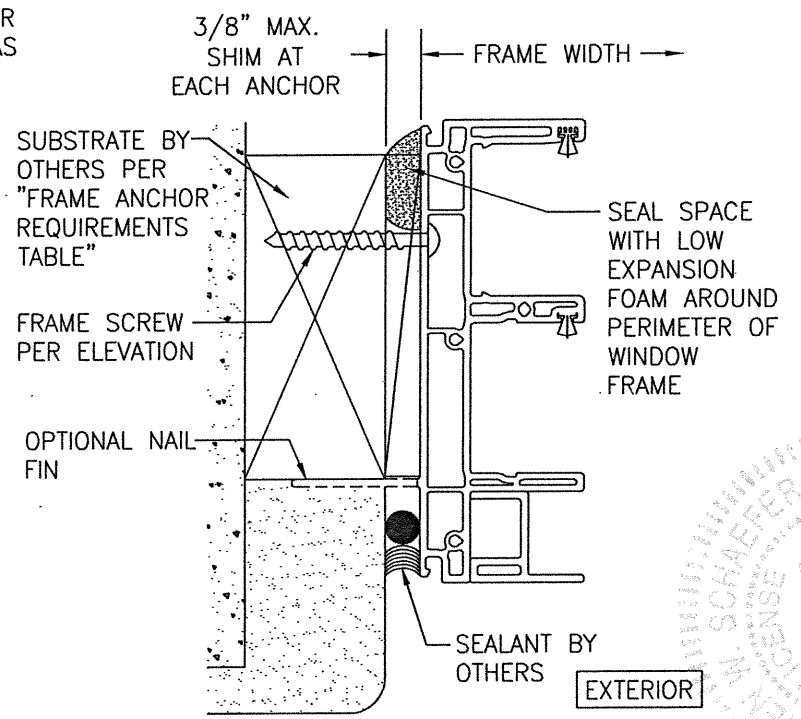
SECTION A1
SCALE: 3/4 FULL (3)
(NAIL FIN MOUNT)



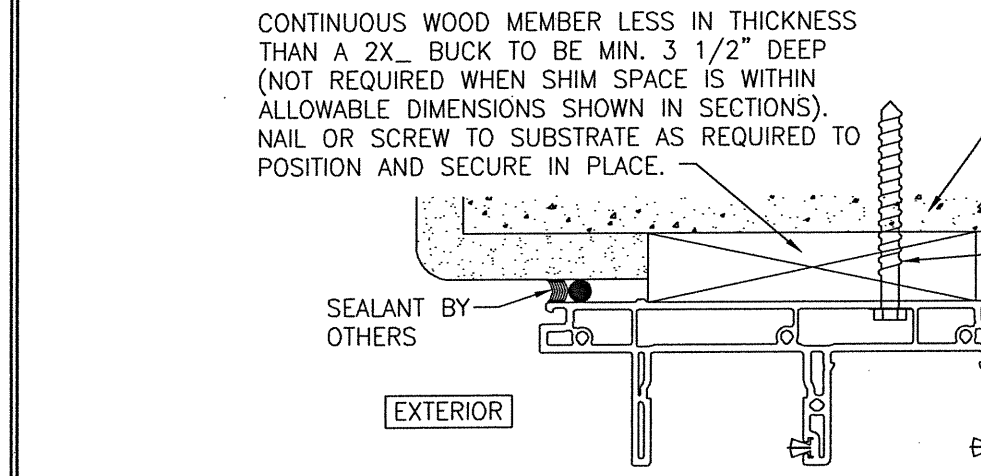
SECTION A2
SCALE: 3/4 FULL (3)
(FRAME SCREW MOUNT)



SECTION B1
SCALE: 3/4 FULL (3)
(NAIL FIN MOUNT)



SECTION B2
SCALE: 3/4 FULL (3)
(FRAME SCREW MOUNT)



OPTIONAL DIRECT MOUNT DETAIL TO SUBSTRATE WITH SPACER
(HEAD SECTION SHOWN; SILL & SIDES ARE INSTALLED THE SAME)
(FOR DETAIL NOT SHOWN, SEE OTHER SECTIONS)

DRAWN BY: W.W.S.		CHECKED BY: W.W.S.	
PLOT: 1=24		DATE: 07/15/19	
NO.	REVISION DESCRIPTION	DATE	BY
DRAWING TITLE: 250 SERIES NON-IMPACT VINYL SLIDING PATIO DOOR			
CONSULTANTS: W. W. SCHAEFER ENGINEERING & CONSULTING, P.A. (CA 6809)			
7480 150TH COURT NORTH PALM BEACH GARDENS, FL 33418 PHONE: 561-744-3424			
DRAWING NO. 1961			
REV. B			
SHEET NO. 5 OF 5			

PELLA CORPORATION
102 MAIN STREET
PELLA, IA 50219
641-621-1000



MANUFACTURER
W. W. SCHAEFER ENGINEERING & CONSULTING, P.A. (CA 6809)
7480 150TH COURT NORTH
PALM BEACH GARDENS, FL 33418
PHONE: 561-744-3424



CERTIFICATION
MAR 17 2021
WARREN W. SCHAEFER, P.E.
P.E. NO. 44135